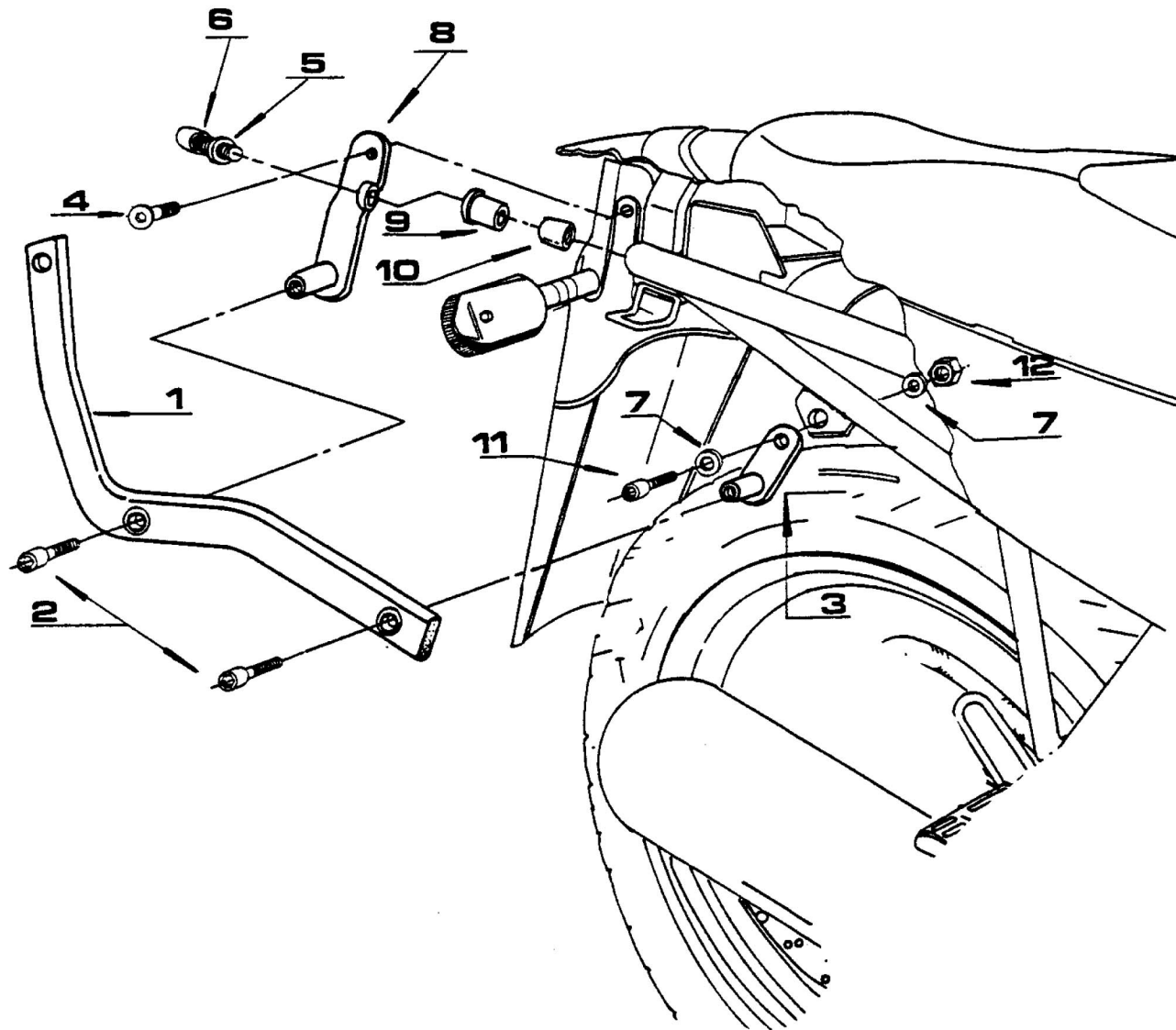


MONORACK SPECIFICO - SPECIFIC MONORACK
 MONORACK SPECIFIQUE - SPEZIFISCHES MONORACK - MONORACK ESPECÍFICO

YAMAHA XJ600 DIVERSION '91/'02 YAMAHA XJ600 DIVERSION N '96/'99

ISTRUZIONI DI MONTAGGIO - MOUNTING INSTRUCTIONS
 INSTRUCTIONS DE MONTAGE - BAUANLEITUNG - INSTRUCCIONES DE MONTAJE



N°	DESCRIZIONE DEL KIT KIT DESCRIPTION DESCRIPTION DU KIT	QUANTITA' QUANTITY QUANTITE'
1	MONORACK	2
2	VITE TCEI M 8 X 20 SCREW M 8 X 20 VIS M 8 X 20	4
3	SUPPORTO G72 SUPPORT SUPPORT	2
4	VITE TL M 6 X 20 SCREW M 6 X 20 VIS M 6 X 20	2
5	RONDELLA \varnothing 8 X 14 WASHER \varnothing 8 X 14 RONDELLE \varnothing 8 X 14	2
6	VITE TCEI M 8 X 50 SCREW M 8 X 50 VIS M 8 X 50	2
7	RONDELLA \varnothing 8 WASHER \varnothing 8 RONDELLE \varnothing 8	4
8	SUPPORTO VERNICIATO DX - SX SUPPORT SUPPORT	2
9	CILINDRO V 072 CYLINDER CYLINDER	2
10	CONO FILETTATO V 051 THREADED CONE CONE FILETE'	2
11	VITE TCEI M 8 X 25 SCREW M 8 X 25 VIS M 8 X 25	2
12	DADO M 8 NUT M 8 ECROU M 8	2